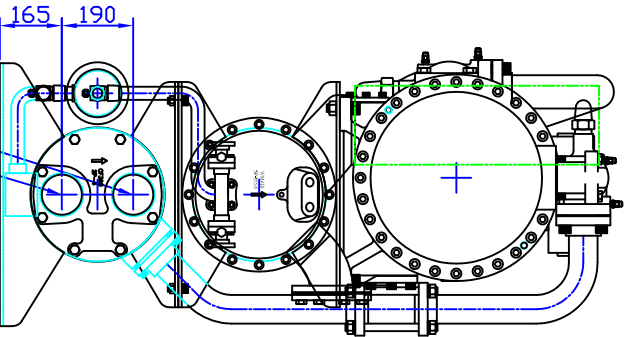


Ice Water Inlet 4" Flange

Ice Water Inlet 4" Flange

Ice Water Outlet 4" Flange

Ice Water Outlet 4" Flange



Cooling Water Outlet PT 4"

Cooling Water Inlet PT 4"

型號:KRS-G100螺旋式冰水機組 重量:2,100Kgs  
 MODEL:KRS-G100 SCREW WATER CHILLING UNIT Weight: 2,100Kgs

冰水器管徑及長度	Ø355.6*2700L
冰水出入口	4" Flange
凝縮器管徑及長度	Ø355.6*2700L
冷卻水出入口	PT 4"